

# A fast, reliable electric imprinter for a variety of data capture applications.

a division of  
**NewBold®**

The Addressograph® 830 imprinter is an economical electric imprinter that combines crisp impressions, format flexibility and product durability for a variety of data capture applications.

The 830 imprinter provides superior legibility and effortless action you can depend on to precisely reproduce the information you need – in seconds.

#### **SUPERIOR IMPRESSIONS**

The Addressograph® 830 was designed for quick and easy imprinting in high volume applications. The 830 offers accurate formset positioning and one-touch operation. Just insert the card, position the form and close the cover. In less than a second, you've produced a highly legible, clean impression. It's that simple.

#### **LIMITLESS FLEXIBILITY**

The 830 fits neatly into any desktop area and accommodates both industry standard CR-80 and CR-50 size plastic cards and accepts a wide range of documents. A special compensating anvil imprints from a single sheet up to a nine-part form. Position the impression anywhere with adjustable forms tray guides. An optional OCR dater, station plate and room jacket let you capture all your important data allowing for additional customer flexibility and convenience.



A reliable one-touch operating handle, plus rugged steel and high-impact plastic mean many years of uninterrupted performance and countless good impressions. The 830 will easily pay for itself many times over in legibility, speed, accuracy and increased efficiency.

#### **CLEARLY IMPRESSIVE**

NewBold Corporation can supply you with the products and services you need to fully implement effective card systems and programs.

NewBold also provides customers total product support with a dedicated worldwide service network. The Addressograph®830 is just one of the many imprinters available from NewBold Corporation – the leader in serving customers worldwide with high quality imprinters and blank plastic cards.

# Addressograph HEALTHCARE

450 Weaver Street  
Rocky Mount VA 24151  
tel: 800.552.3282 x1823  
fax: 540.489.2385  
[www.newboldcorp.com](http://www.newboldcorp.com)



## STANDARD FEATURES

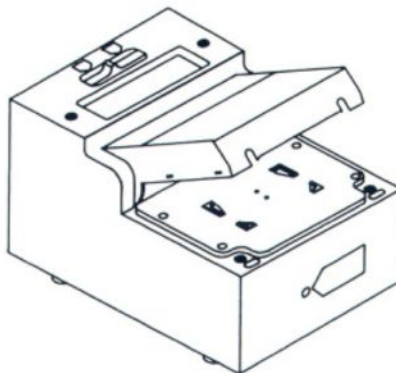
- Adjustable Forms Tray/guides
- CR-80/CR-50 size card guide
- Hospital grade plug
- Quick-change ink roller
- On/off operation switch
- One-touch operating handle
- Non-marking rubber feet

## 830 SPECIFICATIONS

- **Physical Dimensions:**  
6.5 in. wide x 9.5 deep x 6.0 in. high  
(16.5 cm wide x 24.1 cm deep x 15.2 cm high)
- **Weight:** 12 lbs. (5.4 kgs)
- **Color:** Two-tone gray
- **Electrical Requirements:**  
110V, 60 Hz  
220V, 50 Hz
- **Plastic Cards Accepted:**  
CR-80, .020 in. to .030 in.  
(.51 mm to .76 mm thickness)  
CR-50, .020 in. to .030 in.  
(.51 mm to .76 mm thickness)
- **Station Plates:** AP-1003  
(maximum four lines embossing)
- **Documents Accepted:**  
Various size individual formsets up to .018 in.  
(.46 mm) thick

## OPTIONS

- Metal station plate accommodation
- Six digit, OCR dater
- Dry print roller
- 220V, 50 Hz motor
- Room jacket formats
- Magnetic print anvil



Addressograph® is a registered trademark  
of NewBold Corporation.  
© 1994 NewBold Corporation  
Specifications subject to change  
without notice.  
Printed in the U.S.A.  
ADD-0400